

FREEMAN

6555 West Sunset Rd
Las Vegas, NV 89118
(702) 579-1700 Fax: (469) 621-5604
FreemanLasVegasES@freeman.com

**ONLINE PRICE
DISCOUNT PRICE
DEADLINE DATE
AUGUST 06, 2020**

FREEMAN accessories

NAME OF SHOW: **Mobile Tech Expo / August 28-29, 2020**

COMPANY NAME: _____ BOOTH #: _____ BOOTH SIZE: _____ X

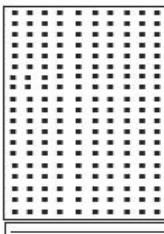
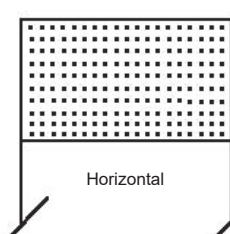
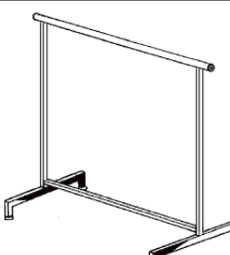
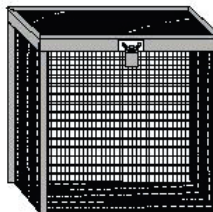


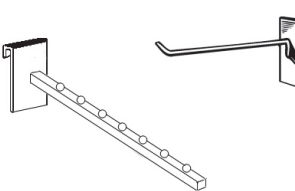
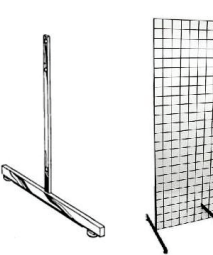
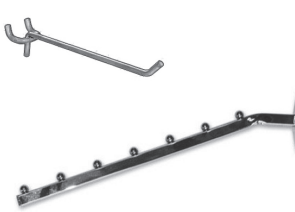
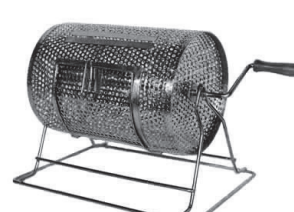
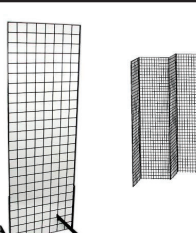
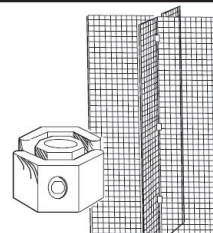
CONTACT NAME : _____ PHONE #: _____

E-MAIL ADDRESS : _____

For Assistance, please call (702) 579-1700 to speak with one of our experts.

For fast, easy ordering, go to www.freeman.com/store

ACCESSORIES

 <p>Vertical</p> <p>PERFBOARD SINGLE SIDED</p>	 <p>Horizontal</p> <p>PERFBOARD SINGLE SIDED</p>	 <p>CHROME GARMENT RACK</p>	 <p>COLLAPSIBLE SECURITY CONTAINER</p>
 <p>2 WAY STRAIGHT ARM</p>	 <p>4 WAY SLANT ARM</p>	 <p>GRID ACCESSORIES</p>	 <p>GRID LEGS</p>
 <p>PERFBOARD HOOKS AND ACCESSORIES</p>	 <p>TICKET TUMBLER</p>	 <p>2' x 8' GRID PANELS</p>	 <p>4 WAY CONNECTORS</p>

Qty	Part #	Description	Online Price	Discount Price	Standard Price	Total
PERFBOARDS / BULLETIN BOARDS						
___	10201178	1M x 8'H Single Side-Vert (White)...	261.10	287.20	365.55	
___	10201179	1M x 8'H Single Side-Vert (Gray)...	N/A	N/A	N/A	
___	10201182	1/2 M x 8'H Single Side-Vert.....	196.75	216.45	275.45	
___	10201480	4' x 8' Single Side-Horz.....	261.10	287.20	365.55	
___	102040	4" Single Hook.....	3.50	3.85	4.90	
___	102060	6" Single Hook.....	3.50	3.85	4.90	
___	102080	8" Single Hook.....	3.50	3.85	4.90	
___	10205	12" Shelf Bracket.....	21.65	23.80	30.30	
___	10207	7-Ball Waterfall Arm.....	40.15	44.15	56.20	

Qty	Part #	Description	Online Price	Discount Price	Standard Price	Total
GRIDS						
___	103028	Chrome Grid.....	112.00	123.20	156.80	
___	103010	Black Grid.....	112.00	123.20	156.80	
___	103011	White Grid.....	112.00	123.20	156.80	
___	103040	Grid Legs (Chrome).....	32.45	35.70	45.45	
___	103041	Grid Legs (Black).....	32.45	35.70	45.45	
___	103042	Grid Legs (White).....	32.45	35.70	45.45	
___	103030	Grid Connectors.....	40.15	44.15	56.20	

Qty	Part #	Description	Online Price	Discount Price	Standard Price	Total
GRIDS (continued)						
___	10303	3-Ball Waterfall Arm.....	33.50	36.85	46.90	
___	10305	5-Ball Waterfall Arm.....	36.30	39.95	50.80	
___	10307	7-Ball Waterfall Arm.....	40.15	44.15	56.20	
___	10309	Cleaver Clip.....	6.55	7.20	9.15	
___	103044	4" Single Hook.....	3.50	3.85	4.90	
___	103046	6" Single Hook.....	3.50	3.85	4.90	
___	103048	8" Single Hook.....	3.50	3.85	4.90	

Qty	Part #	Description	Online Price	Discount Price	Standard Price	Total
ACCESSORIES						
___	151010	Collapsible Security Container.....	392.70	431.95	549.80	
___	15905	Fish Bowl.....	143.95	158.35	201.55	
___	159011	Ticket Tumbler - Small.....	139.75	153.75	195.65	
___	10405	Garment Rack.....	157.10	172.80	219.95	
___	10404	4-way Slant Arm.....	196.75	216.45	275.45	
___	10403	2-way Straight Arm.....	156.55	172.20	219.15	

TOTAL COST		
Sub-Total	+	8.375 % Tax
	=	Total Cost

Take advantage of the Online price by ordering at www.freeman.com before AUGUST 06, 2020

FREEMAN

6555 West Sunset Road
Las Vegas, NV 89118
(702) 579-1700 • Fax: (469) 621-5604
FreemanLasVegasES@freeman.com

**DISCOUNT PRICE
DEADLINE DATE
AUGUST 7, 2020**

NAME OF SHOW: **Mobile Tech Expo / August 28-29, 2020**

COMPANY NAME: _____ BOOTH #: _____

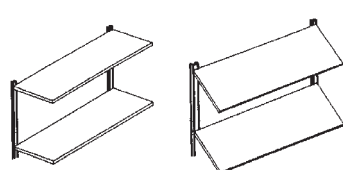

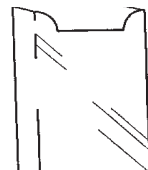
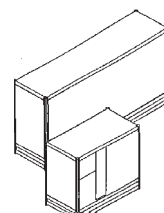
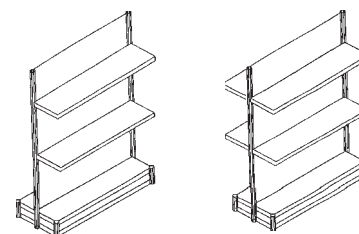
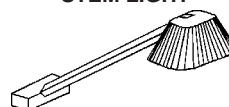



CONTACT NAME: _____ PHONE #: _____

E-MAIL ADDRESS: _____

For Assistance, please call 702-579-1700 to speak with one of our experts.

For fast, easy ordering, go to www.freemanco.com/store

ACCESSORIES FOR RENTAL UNITS

<p>STRAIGHT AND ANGLED SHELVES</p> 	<p>RADIUS COUNTER (Does Not Have Doors)</p> 	<p>LITERATURE POCKETS (Plexiglass)</p> 	<p>COUNTERS & CABINETS</p> 
<p>GONDOLAS</p> 	<p>(Lights may only be used on rentals. Electrical service & labor to install lights is not included.)</p> <p>STEM LIGHT</p>  <p>TRACKLIGHT</p> 	<p>WIRE WALL PANELS (Available in Black or White) Usable Surface: 36" w x 86" h Overall Size: 41-3/16" w x 96" h x 28" d</p> 	<p>SLAT WALL PANELS (Available in White) Usable Surface: 37-1/2" x 86-1/4" Overall Size: 41-3/16" w x 96" h x 28" d</p> 

Qty	Part #	Description	Discount Price	Standard Price	Total
LIGHT FIXTURES					
<i>(electrical service & labor to install lights not included)</i>					
___	172512	Stem Light	202.90	284.05	___
___	172514	4' Tracklight (3 lights).....	411.50	576.10	___
CABINETS & COUNTERS					
Cabinets					
<input type="checkbox"/> Black Fabric <input type="checkbox"/> Blue Fabric <input type="checkbox"/> Gray Fabric <input type="checkbox"/> White PVC					
___	17305	1M x 36" High Cabinet	526.85	737.60	___
___	17306	1M x 42" High Counter.....	526.85	737.60	___
___	17308	2M x 36" High Cabinet	653.00	914.20	___
___	17309	2M x 42" High Counter.....	653.00	914.20	___
___	173010	1M x 36" High Radius Cabinet ...	753.20	1054.50	___
___	173011	1M x 42" High Radius Counter ...	753.20	1054.50	___
GONDOLAS					
Gondolas					
<input type="checkbox"/> Blue Fabric <input type="checkbox"/> Black Fabric <input type="checkbox"/> Gray Fabric <input type="checkbox"/> Perfbord <input type="checkbox"/> White PVC					
___	174541	Single Sided 1M x 4' High.....	502.90	704.05	___
___	174542	Double Sided 1M x 4' High.....	668.20	935.50	___
___	174581	Single Sided 1M x 8' High.....	613.10	858.35	___
___	174582	Double Sided 1M x 8' High.....	780.75	1093.06	___
SHELVES					
___	17201	Straight Shelf - 1M.....	74.40	104.15	___
___	17206	Angled Shelf - 1M.....	74.40	104.15	___

Don't see what you need?
Please call an Exhibitor Services Representative at 702-579-1700.
(501369) LV-H1 20/21

Qty	Part #	Description	Discount Price	Standard Price	Total
WIRE WALL					
Wire Wall					
<input type="checkbox"/> Black <input type="checkbox"/> White					
___	173518	1M x 8' High Wire Wall.....	668.20	935.50	___
___	17353	3-Ball Waterfall	36.30	50.80	___
___	17355	5-Ball Waterfall	38.65	54.10	___
___	17357	7-Ball Waterfall	42.75	59.85	___
___	173510	Cleaver Clip.....	7.05	9.85	___
___	1735468	4" Single Hook.....	3.70	5.20	___
___	1735468	6" Single Hook.....	3.70	5.20	___
___	1735468	8" Single Hook.....	3.70	5.20	___
SLAT WALL					
___	1736100	1M x 8' High Slat Wall	502.90	704.05	___
___	173650	1/2M x 8' High Slat Wall.....	376.45	527.05	___
___	173611	Slat Wall Shelf	121.80	170.50	___
___	17365	5-Ball Waterfall	42.75	59.85	___
LITERATURE POCKET					
___	174015	For 8 1/2 x 11 Literature	42.25	59.15	___
TOTAL COST					
Sub-Total _____ + Tax (8.375%) _____ = TOTAL _____					

*Remember to select a color for items with checkboxes.
Otherwise, a selection will be made for you.

FREEMAN exhibit accessories