

FREEMAN

6555 West Sunset Rd
Las Vegas, NV 89118
(702) 579-1700 Fax: (469) 621-5604
FreemanLasVegasES@freeman.com

**ONLINE PRICE
DISCOUNT PRICE
DEADLINE DATE
AUGUST 06, 2020**

FREEMAN accessories

NAME OF SHOW: **Mobile Tech Expo / August 28-29, 2020**

COMPANY NAME: _____ BOOTH #: _____ BOOTH SIZE: _____ X

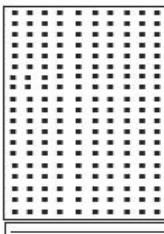
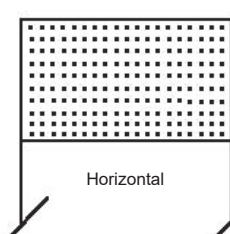
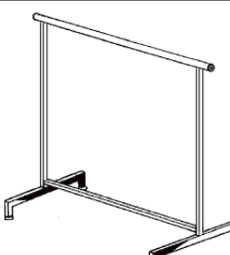
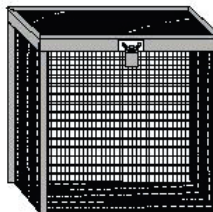


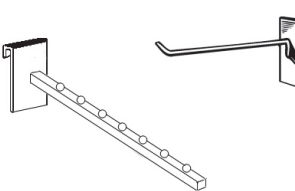
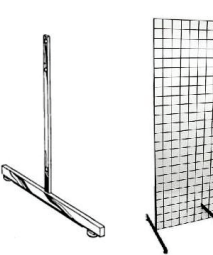
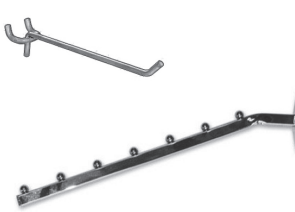
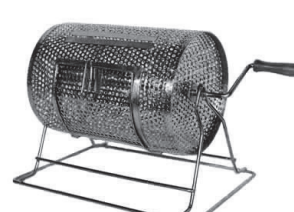
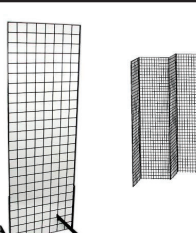
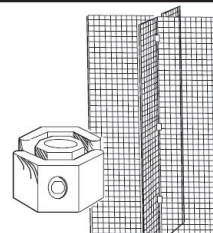
CONTACT NAME : _____ PHONE #: _____

E-MAIL ADDRESS : _____

For Assistance, please call (702) 579-1700 to speak with one of our experts.

For fast, easy ordering, go to www.freeman.com/store

ACCESSORIES

 <p>Vertical</p> <p>PERFBOARD SINGLE SIDED</p>	 <p>Horizontal</p> <p>PERFBOARD SINGLE SIDED</p>	 <p>CHROME GARMENT RACK</p>	 <p>COLLAPSIBLE SECURITY CONTAINER</p>
 <p>2 WAY STRAIGHT ARM</p>	 <p>4 WAY SLANT ARM</p>	 <p>GRID ACCESSORIES</p>	 <p>GRID LEGS</p>
 <p>PERFBOARD HOOKS AND ACCESSORIES</p>	 <p>TICKET TUMBLER</p>	 <p>2' x 8' GRID PANELS</p>	 <p>4 WAY CONNECTORS</p>

Qty	Part #	Description	Online Price	Discount Price	Standard Price	Total
PERFBOARDS / BULLETIN BOARDS						
___	10201178	1M x 8'H Single Side-Vert (White)...	261.10	287.20	365.55	
___	10201179	1M x 8'H Single Side-Vert (Gray)...	N/A	N/A	N/A	
___	10201182	1/2 M x 8'H Single Side-Vert.....	196.75	216.45	275.45	
___	10201480	4' x 8' Single Side-Horz.....	261.10	287.20	365.55	
___	102040	4" Single Hook.....	3.50	3.85	4.90	
___	102060	6" Single Hook.....	3.50	3.85	4.90	
___	102080	8" Single Hook.....	3.50	3.85	4.90	
___	10205	12" Shelf Bracket.....	21.65	23.80	30.30	
___	10207	7-Ball Waterfall Arm.....	40.15	44.15	56.20	

Qty	Part #	Description	Online Price	Discount Price	Standard Price	Total
GRIDS						
___	103028	Chrome Grid.....	112.00	123.20	156.80	
___	103010	Black Grid.....	112.00	123.20	156.80	
___	103011	White Grid.....	112.00	123.20	156.80	
___	103040	Grid Legs (Chrome).....	32.45	35.70	45.45	
___	103041	Grid Legs (Black).....	32.45	35.70	45.45	
___	103042	Grid Legs (White).....	32.45	35.70	45.45	
___	103030	Grid Connectors.....	40.15	44.15	56.20	

Qty	Part #	Description	Online Price	Discount Price	Standard Price	Total
GRIDS (continued)						
___	10303	3-Ball Waterfall Arm.....	33.50	36.85	46.90	
___	10305	5-Ball Waterfall Arm.....	36.30	39.95	50.80	
___	10307	7-Ball Waterfall Arm.....	40.15	44.15	56.20	
___	10309	Cleaver Clip.....	6.55	7.20	9.15	
___	103044	4" Single Hook.....	3.50	3.85	4.90	
___	103046	6" Single Hook.....	3.50	3.85	4.90	
___	103048	8" Single Hook.....	3.50	3.85	4.90	

Qty	Part #	Description	Online Price	Discount Price	Standard Price	Total
ACCESSORIES						
___	151010	Collapsible Security Container.....	392.70	431.95	549.80	
___	15905	Fish Bowl.....	143.95	158.35	201.55	
___	159011	Ticket Tumbler - Small.....	139.75	153.75	195.65	
___	10405	Garment Rack.....	157.10	172.80	219.95	
___	10404	4-way Slant Arm.....	196.75	216.45	275.45	
___	10403	2-way Straight Arm.....	156.55	172.20	219.15	

TOTAL COST		
Sub-Total	+	8.375 % Tax
	=	Total Cost

Take advantage of the Online price by ordering at www.freeman.com before AUGUST 06, 2020